

Z200 SERVOMIX



THE FLAGSHIP OF THE **NEXUS** DOSING PRODUCT LINE

Cantilever machine concept for maximum freedom during exchange. Easy to clean surfaces, for customers with special purity requirements.

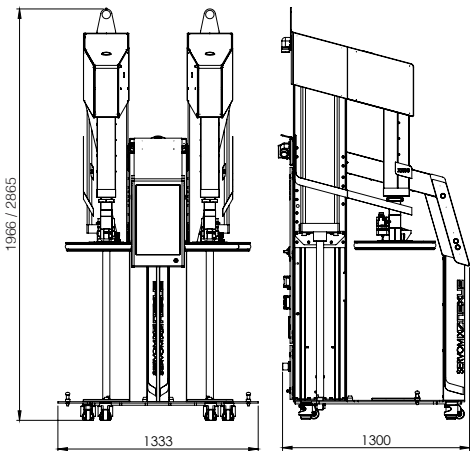
- ✓ Servo-driven 2K mixing and dosing system for 200 L and 20 L drums
- ✓ Volumetric dosing system with CLOSED LOOP regulation of the mixture (RTMR)
- ✓ PULSATION FREE – constant volume flow
- ✓ Automatic level compensation
- ✓ Lowest mixing deviation over the entire dosing cycle (+ / - 0.1%)
- ✓ Detailed quality protocol
- ✓ 8 different languages
- ✓ Documentation of the real generated mixture in microliters (A + B), additive in nanoliter
- ✓ OPC-UA Ready
- ✓ Interface for TRUEFLOW NANO – color closed loop regulation
- ✓ Interface for modular mixing head
- ✓ Interface for calibration function
- ✓ Automatic 0-point detection
- ✓ Monitoring function
- ✓ Automatic cyclic purge function
- ✓ User management levels

SIMPLY NEXT LEVEL ELASTOMER SYSTEMS

NEXUS Only

- ✔ SPLITNEX Technology – splitting the air from the silicon automatically.
- ✔ Guaranteed air free silicon during the whole process.
- ✔ Shortest maintainance and exchange times on the market, because of our fast mounting engineered parts.
- ✔ PURGE LOSS & REMAINING MATERIAL
= **TOTAL LOSS**
0.1% + 0.3% = **< 0.5%**

Z200 Technical Data



- ✔ Max. feeding rate 1000 cm³/min (depending on viscosity) pulsation free
- ✔ Max. pressure 170 bar
- ✔ Power supply 3x340-480VAC+PE / 16A
- ✔ Air supply 6 bar - 1000 NL/min (1/2")
- ✔ Measuring [mm] (B) 1333 (T) 1300 (H shortest) 1966/ (H highest) 2865
- ✔ **Fast and safe drum exchange from 90° angle on both sides**
- ✔ **Drum exchange within 5 minutes**

 **NEXUS**
ELASTOMER SYSTEMS

NEXUS Elastomer Systems GmbH
Solarstraße 10, 4653 Eberstalzell
Austria Telefon.: +43 (0) 50/1215-200
www.nexus-elastomer.com